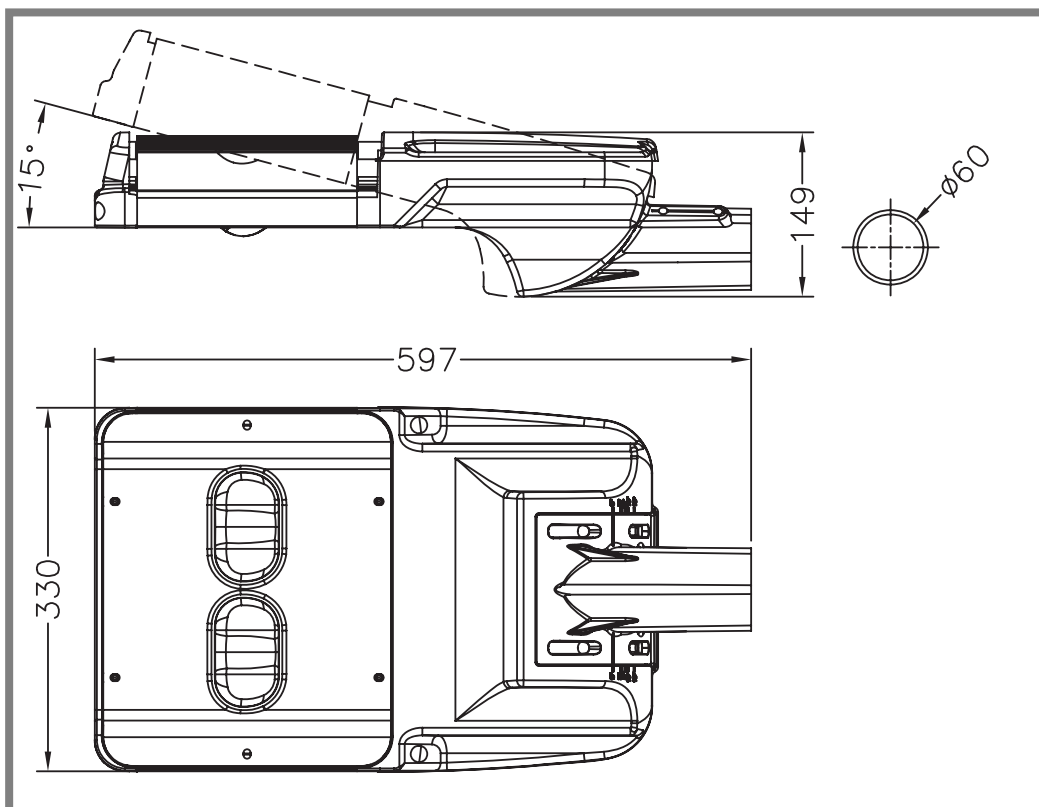


LED 2

LUMINARIA PARA ZONAS DE ACTIVIDADES, CALLES, PARKINGS



REFERENCIA	CARACTERÍSTICAS			
	TENSION ENTRADA	COLOR TEMPERATURA K	VATIOS LUMINARIA	LÚMENES Lm en VATIOS
LED-2-016/230/3.8	90 - 265 Vac	3.800 k	16W	1.600 Lm
LED-2-016/230/4.5		4.500 k		
LED-2-016/24/3.8	24V	3.800 k		
LED-2-016/24/4.5		4.500 k		
LED-2-020/230/3.8	90 - 265 Vac	3.800 k	20W	2.000 Lm
LED-2-020/230/4.5		4.500 k		
LED-2-020/24/3.8	24V	3.800 k		
LED-2-020/24/4.5		4.500 k		
LED-2-030/230/3.8	90 - 265 Vac	3.800 k	30W	3.000 Lm
LED-2-030/230/4.5		4.500 k		
LED-2-030/24/3.8	24V	3.800 k		
LED-2-030/24/4.5		4.500 k		
LED-2-040/230/3.8	90 - 265 Vac	3.800 k	40W	4.000 Lm
LED-2-040/230/4.5		4.500 k		
LED-2-040/24/3.8	24V	3.800 k		
LED-2-040/24/4.5		4.500 k		
LED-2-050/230/3.8	90 - 265 Vac	3.800 k	50W	5.000 Lm
LED-2-050/230/4.5		4.500 k		
LED-2-050/24/3.8	24V	3.800 k		
LED-2-050/24/4.5		4.500 k		
LED-2-060/230/3.8	90 - 265 Vac	3.800 k	60W	6.000 Lm
LED-2-060/230/4.5		4.500 k		
LED-2-060/24/3.8	24V	3.800 k		
LED-2-060/24/4.5		4.500 k		



MATERIAL

Aluminio Inyectado

LARGA DURACION

50.000 H

TEMPERATURA DE TRABAJO

- 40° C ~ + 55° C

COLOR ESTANDAR

Interpon D1036 **SABLE 300-600**

IP65

