

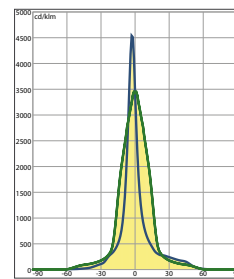
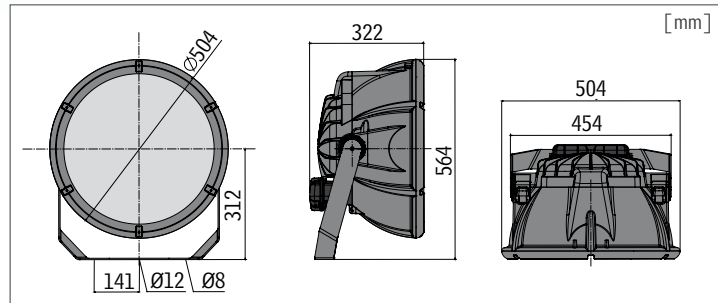
RUN



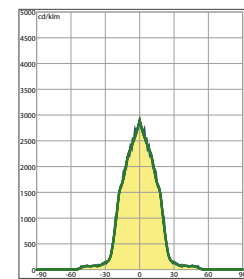
Grado de protección: IP 66  
Potencias: **1000W - 2000W**



retro | atrás



CTS HQI-TS 1000W 12°



CTS HQI-TS 1000W 35°

CÓDIGO Code	CABLEADO Wiring	POTENCIA Power(W)	SOPORTE Lampholder	TENSIÓN Voltage(V)	haz Beam	CORRIENTE Current(A)	DISPARADOR Trigger(KV)	RENDIMIENTO Execution	PESO NETO Net weight(Kg)	FUENTE Light source	COLOR Colour	ENEC
240003.000	NC	1000W/2000W	K12s		12°			NC	12,30		■	
241003.000	NC	1000W/2000W	K12s		35°			NC	12,30		■	
240223.110	MH-TS	1000W	K12s	230V	12°	9,50	4,50	CNR	24,00	HQI-TS	■	√
240223.120	MH-TS	2000W	K12s	380V	12°	10,30	4,50	CNR	28,65	HQI-TS	■	√
241223.110	MH-TS	1000W	K12s	230V	35°	9,50	4,50	CNR	24,00	HQI-TS	■	√
241223.120	MH-TS	2000W	K12s	380V	35°	10,30	4,50	CNR	28,65	HQI-TS	■	√
240233.110	MH-TS	1000W	K12s	230V	12°	9,50	4,50	CNRL	24,05	HQI-TS	■	√
240233.120	MH-TS	2000W	K12s	380V	12°	10,30	4,50	CNRL	28,71	HQI-TS	■	√
241233.110	MH-TS	1000W	K12s	230V	35°	9,50	4,50	CNRL	24,05	HQI-TS	■	√
241233.120	MH-TS	2000W	K12s	380V	35°	10,30	4,50	CNRL	28,71	HQI-TS	■	√